

J1 Pinout
 1- Gnd from input pot (leg 3)
 2- From input pot wiper

J1
 2
 1
 Input

J4
 leg 1 pot
 2
 1
 Output pot

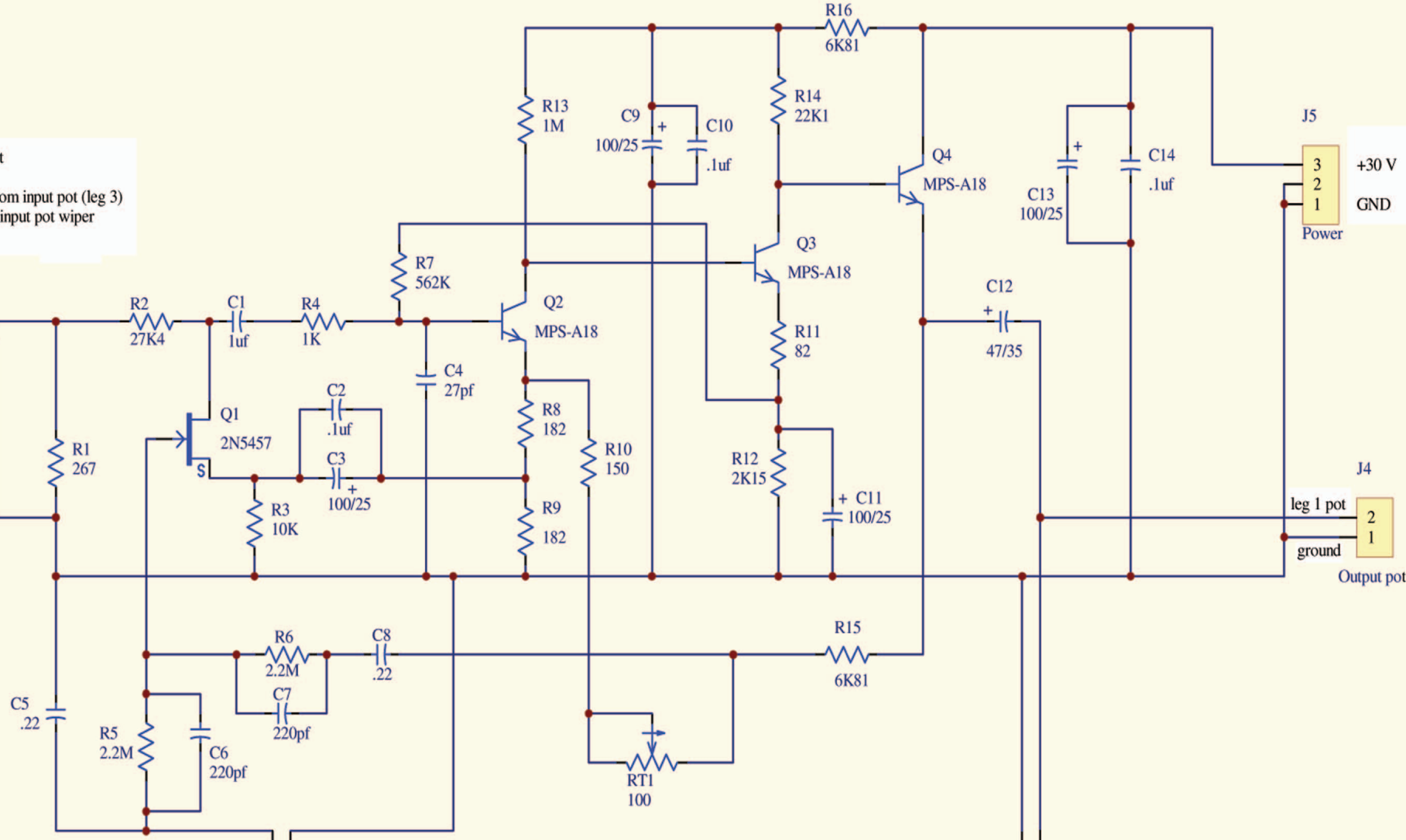
J5
 3
 2
 1
 +30 V
 GND
 Power

J4
 leg 1 pot
 2
 1
 Output pot

J2 pinout
 1- ground
 2- from sidechain pcb J2 Pin 2

J3 pinout
 1- ground
 2- to ratio sw pcb J2 pin 2

Note:
 Omit R1 resistor
 if using Neve style
 input
 as suggested by kit.
 R1 is needed only if
 original 600 ohm
 T attenuator is used



J3
 1
 2
 Sidechain Out