

REV	Eng	Date:	Revision Description	ECN#
A				
B				
C				
D				
E				
F				


INDEX

SHEET	DESCRIPTION
1	This cover sheet
2	DSP / clock / reset
3	Codec / analog
4	Power / interface / EEPROM

This page blank.

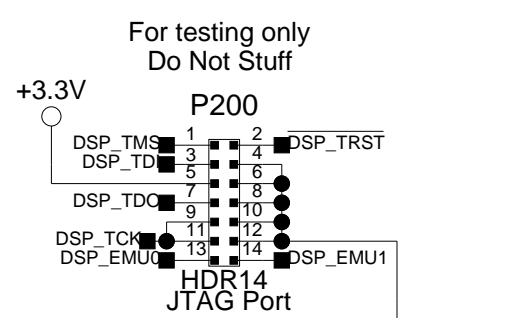
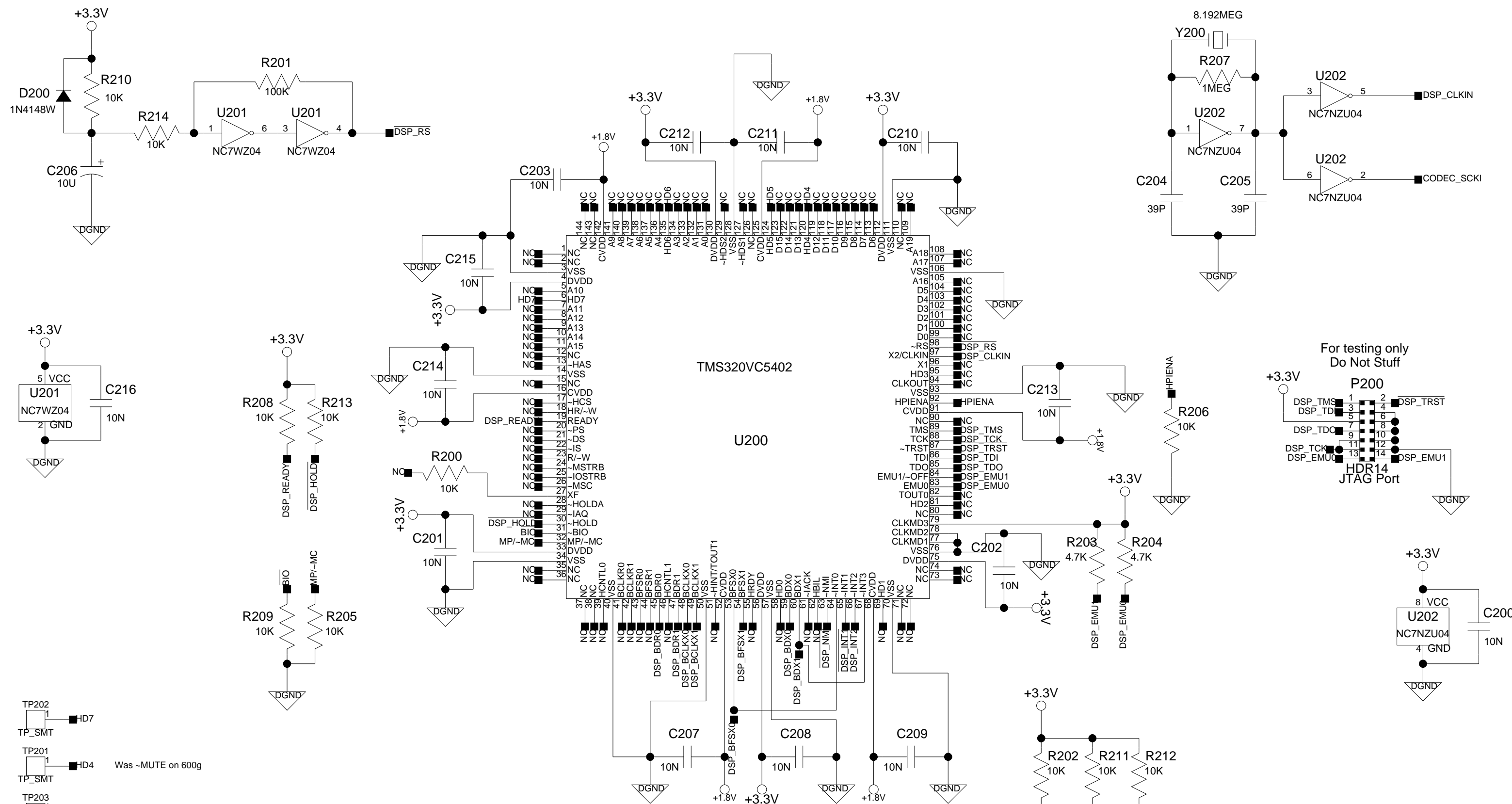
Note: All thru hole Resistors are 1/4 Watt unless otherwise indicated.
 All SMT 1206 Resistors are 1/4 Watt.
 All SMT 0805 Resistors are 1/10 Watt.
 Note Capacitor Values are indicated as Follows:
 val P = pF (picoFarads) val * 10 exp-12
 val N = nF (nanoFarads) val * 10 exp-9 (1N=1000pF, 100N=0.1uF)
 val U = uF (microFarads) val * 10 exp-6

Company Proprietary Information

 Peavey Electronics Corp. P. O. Box 2898 Meridian, MS 39301	
Product:	Bandit Reverb Board
Title:	REVERBTI
Project Number:	P0500039
Eng: John Fera	Release Date:
B Sheet 1 of 4	Saved: 8-25-2006_16:58

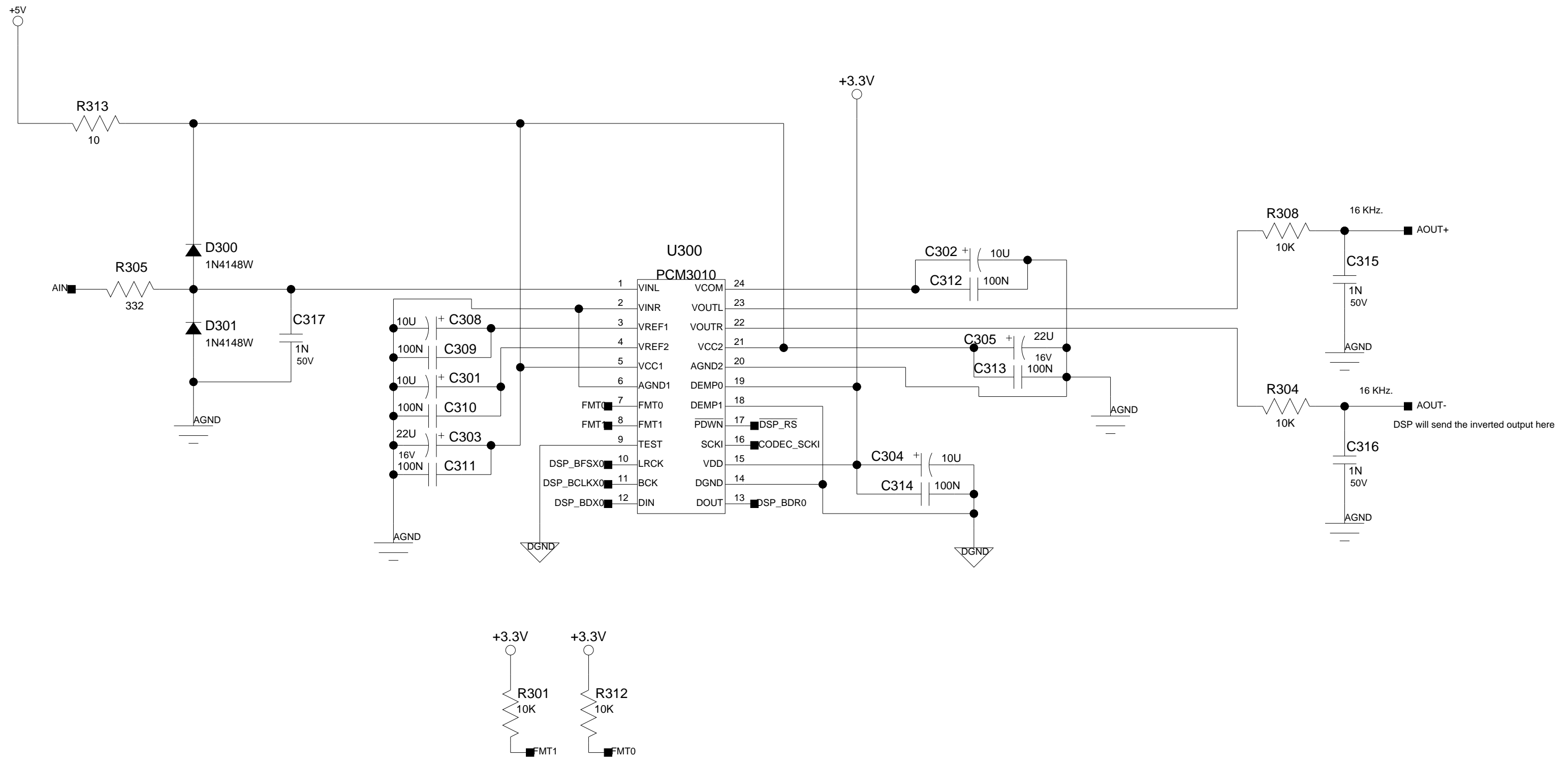
Patents:

Copyright Peavey Electronics Corporation 2005.



PEAVEY
Peavey Electronics Corp.
P. O. Box 2898
Meridian, MS 39301

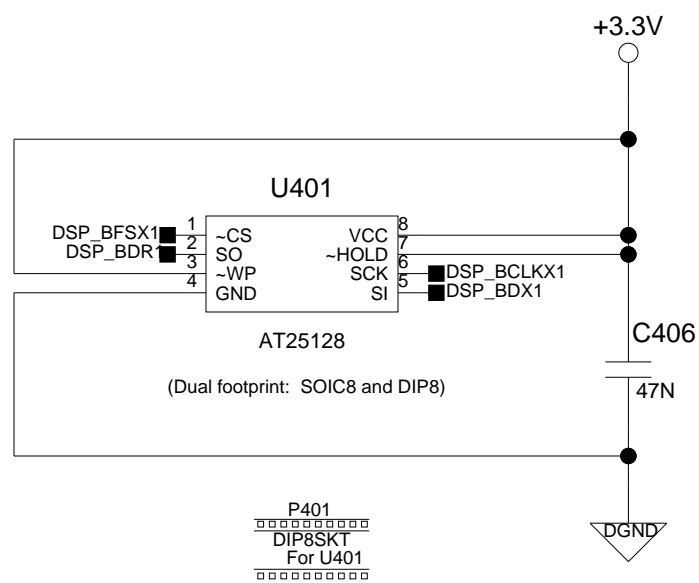
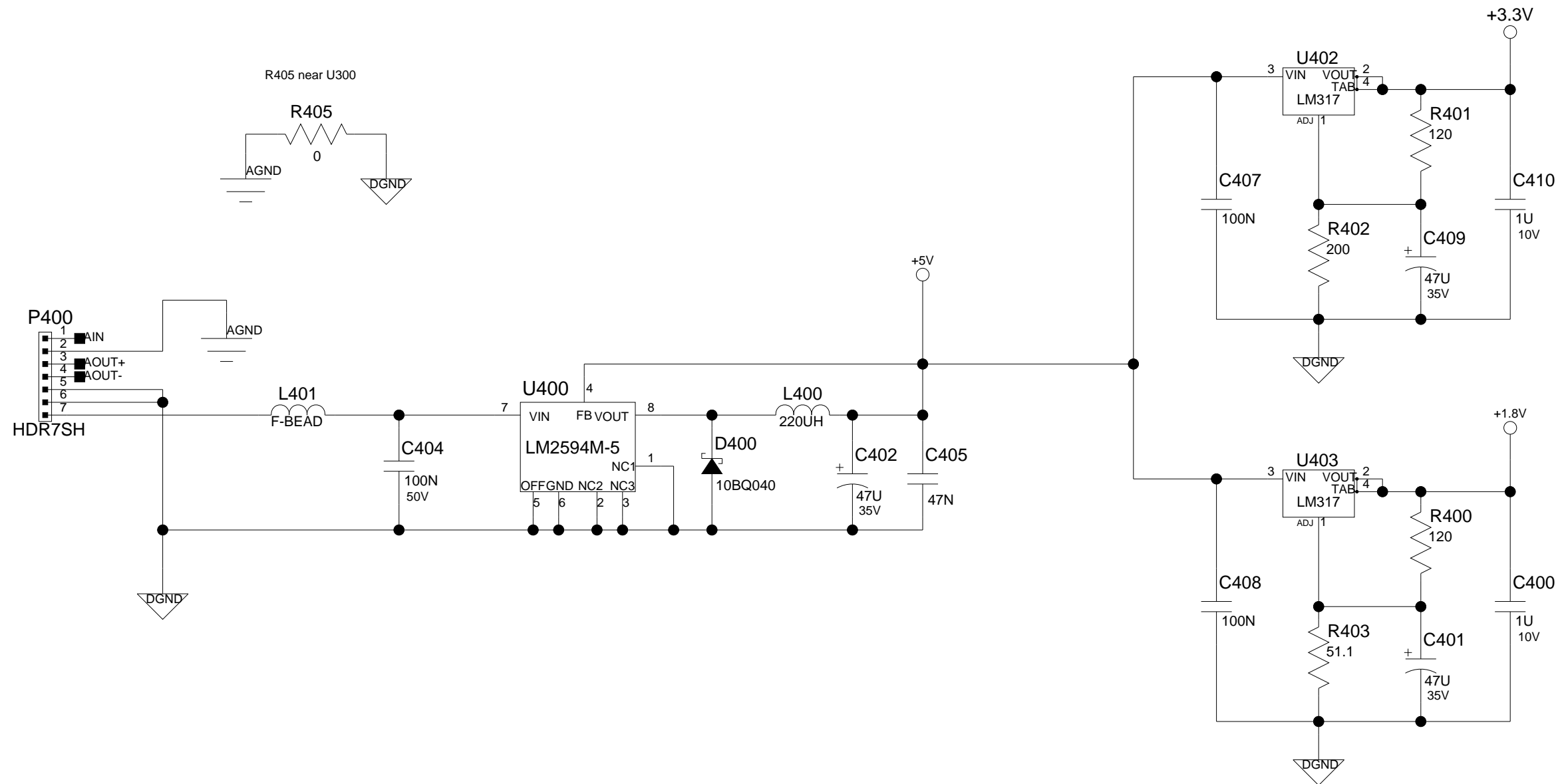
Title: REVERBTI
Sheet Title: DSP
B Sheet 2 of 4 Date: 9-27-2005_15:36



FMT1	FMT0	DAC	ADC
0	0	24-bit, MSB first, right-justified	24-bit, MSB first, left-justified
0	1	16-bit, MSB first, right-justified	24-bit, MSB first, left-justified
1	0	24-bit, MSB first, left-justified	24-bit, MSB first, left-justified
1	1	24-bit, MSB first, I2S	24-bit, MSB first, I2S



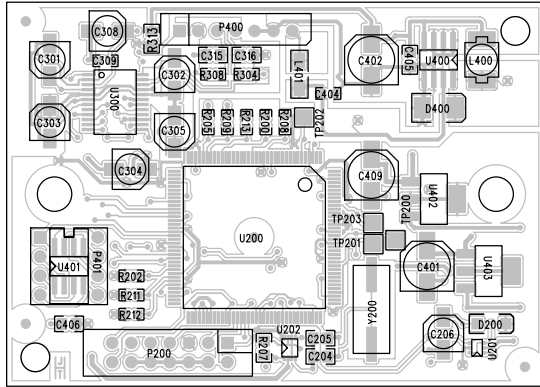
Title: REVERBTI
 Sheet Title: Codec



PEAVEY
 Peavey Electronics Corp.
 P. O. Box 2898
 Meridian, MS 39301

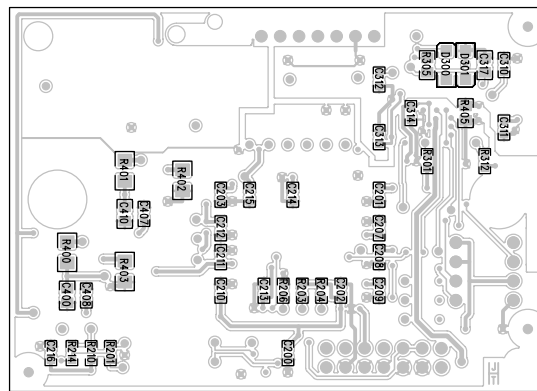
Title: **REVERBTI**
 Sheet Title: Power / interface / EEPROM

B Sheet 4 of 4 Date: 9-8-2006_11:18



BANDIT REVERB □
PRIMARY SIDE VIEW

DO NOT STUFF:
R301, R303, R405, U401



BANDIT REVERB
SECONDARY SIDE VIEW

BILL OF MATERIAL REPORT

REPORT DATE/TIME: 9/8/2006 1:06:23 PM

BOARD NAME: BANDIT REVERB ASSEMBLY LEVEL NUMBER: 39093790

PROJECT NUMBER: P0500039 DESIGNER: LFL

Qty.	Part #	Description	Reference Designators
--			
2	30200076	120 1/4W 1% MF 1206	R400 R401
1	30200107	51.1 1/4W 1% MF 1206	R403
1	30200155	200 1/4W 1% MF 1206	R402
1	30200164	0.0 JUMPER SMT 0805	R405
1	30200195	1.00M 1/10W 1% MF 0805	R207
1	30200196	10 1/10W 1% MF 0805	R313
1	30200246	332 1/10W 1% MF 0805	R305
1	30200288	100K 1/10W 5% MF 0603	R201
15	30200289	10K 1/10W 1% MF 0603	R200 R202 R205 R206 R208 R209 R210 R211 R212 R213 R214 R301 R304 R308 R312
2	30200310	4.7K 1/10W 5% MF 0603	R203 R204
3	30300079	47UF 35V 20% EL SMT6	C401 C402 C409
5	30300080	10UF 16V 20% EL SMT4	C206 C301 C302 C304 C308
2	30300087	39PF 50V 5% NPO 0805	C204 C205
2	30300094	1UF 10V 10% X7R 0805	C400 C410
14	30300124	0.01UF 50V +80,20% Y5V 0603	C200 C201 C202 C203 C207 C208 C209 C210 C211 C212 C213 C214 C215 C216
9	30300128	0.1UF 50V 10% Y5V 0603	C309 C310 C311 C312 C313 C314 C404 C407 C408
2	30300156	0.047UF 50V 10% X7R 0805	C405 C406

3	30300157	1000PF 50V 10% X7R 0805	C315 C316 C317
2	30300237	22UF 16V 20% EL SMT4	C303 C305
1	30418219	SCHOTTKY 40V 1A SMT	D400
1	30418220	LM2594M-5.0,5V REG SMT	U400
2	30418303	LM317EMP 3-T ADJ REG -SMT	U402 U403
3	30418328	1N4148W SWITCHING DIODE	D200 D300 D301
1	30418426	TMS320VC5402 16 BIT DSP	U200
1	30418427	PCM3010 24 BIT STEREO CODEC	U300
1	30418436	EEPROM 128KX8 AT25128 SO8	U401
1	30418620	NC7WZ04 DUAL HS INVERTER SC7	U201
1	30418621	NC7NZU04 TRIPLE TINY INVERTER	U202
1	30504101	FERRITE CHIP SMT	L401
1	30800036	CRYSTAL 8.192MHZ SMT	Y200
1	30800037	220UH IND 220MA SMT	L400
1	31466038	8 PIN DIP IC SOCKET	P401
1	73716729	7 HDR V SPOX 2.5MM TIN	P400
1	73717118	14 HDR V DR .100" TIN	P200
6	FIDUCIAL	????????????????????????????	FID1 FID2 FID3 FID4 FID5 FID6
4	TEST_SMT	PAD FOR SMT TEST POINT	TP200 TP201 TP202 TP203

 END OF BILL OF MATERIAL REPORT
